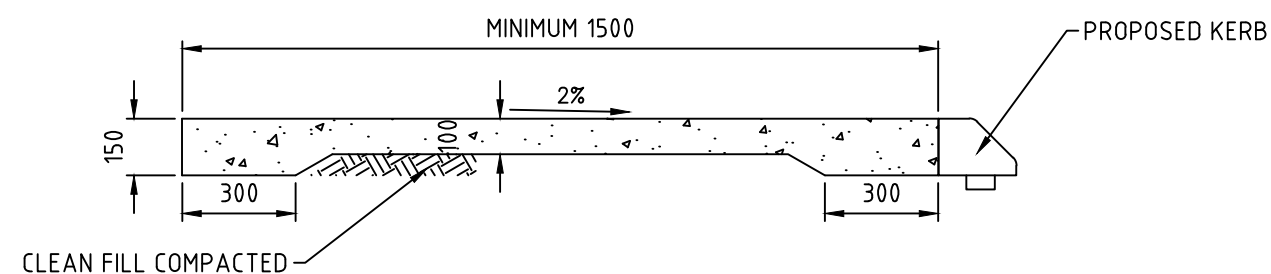
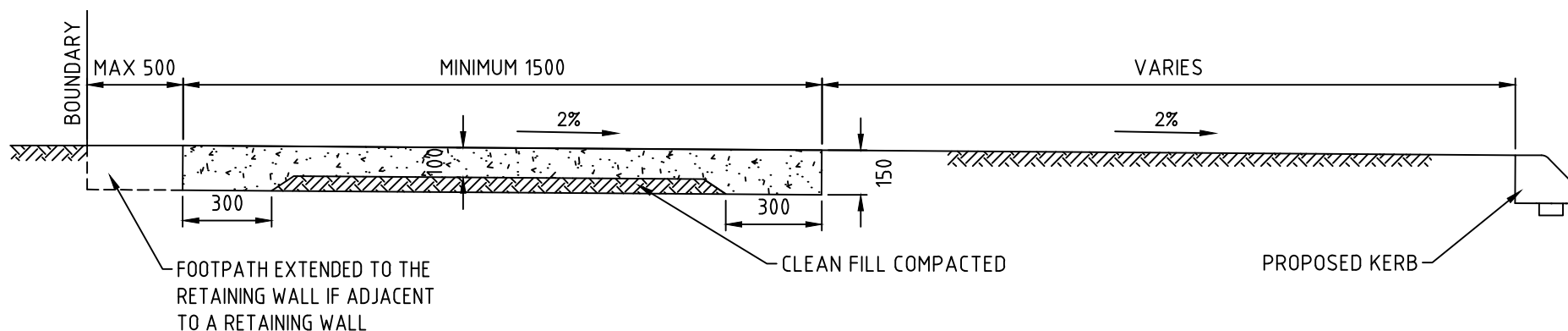


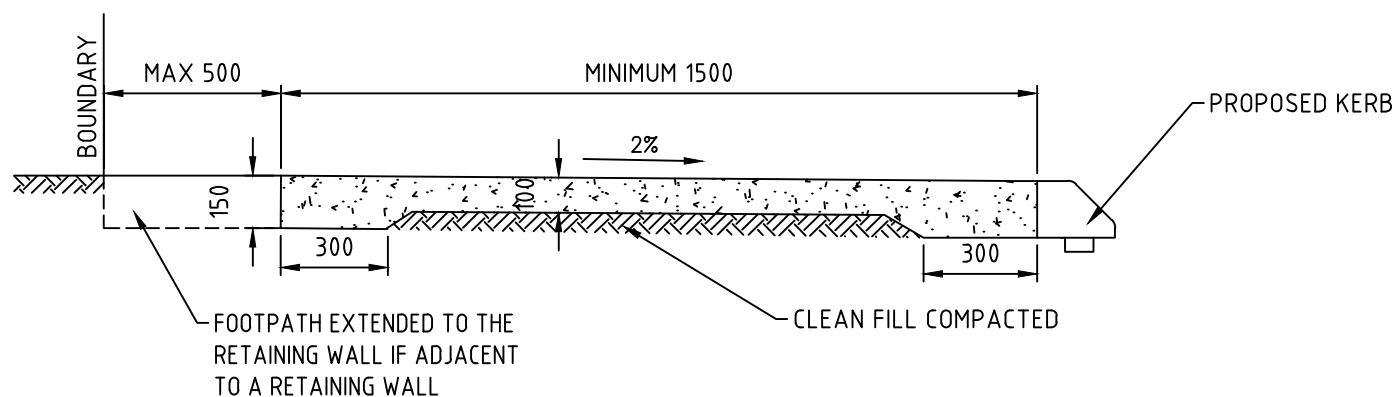
**CONCRETE PATH TYPICAL SECTION – TYPE 1**  
SCALE 1:20 (A3)



**CONCRETE PATH TYPICAL SECTION – TYPE 2**  
SCALE 1:20 (A3)



**CONCRETE PATH TYPICAL SECTION – TYPE 3**  
SCALE 1:20 (A3)



**CONCRETE PATH TYPICAL SECTION – TYPE 4**  
SCALE 1:20 (A3)

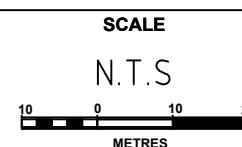
**NOTES:**

1. FOUNDATION TO BE COMPACTED TO 95% MODIFIED DTY DENSITY.
2. ALL CONCRETE FOR FOOTPATH CONSTRUCTION TO BE A MINIMUM OF 25MPa, 20mm AGGREGATE AND A MAXIMUM SLUMP OF 80mm-100mm
3. BEDDING – SAND (100mm MINIMUM).
4. EXPANSION JOINT EVERY 5.0m AS PER CITY OF ARMADALE STANDARD DRAWING S13-08
5. CONTRACTION JOINT EVERY 2.5m AS PER CITY OF ARMADALE STANDARD DRAWING S13-08
6. SURFACE TO BE BROOM FINISH, NON-SLIP, WITH SMOOTH EDGE APPROXIMATELY 75mm WIDE AT EDGES AND JOINTS.
7. DIMENSIONS IN MILLIMETERES.
8. LONGITUDINAL GRADE SHOULD NOT EXCEED 1 IN 20
9. WHERE LONGITUDINAL GRADE IS GREATER THAN 1 IN 14, LANDINGS WILL BE PROVIDED EVERY 6m.
10. WHERE LONGITUDINAL GRADE IS GREATER THAN 1 IN 14, LANDINGS WILL BE PROVIDED EVERY 6m.
11. VERTICAL CLEARANCES ALONG PATHS SHOULD BE A MINIMUM OF 2m.
12. WHERE STREET FURNITURE (POLES, BENCHES, RUBBISH BINS, POSTS, ETC) ARE LOCATED IN PATH, A MINIMUM UNOBSTRUCTED WIDTH OF 1.2m MUST BE MAINTAINED.

ASSOCIATED STANDARD DRAWINGS  
 • CoA KERBING STANDARD 00-06  
 • MRWA KERBING STANDARD 9331-0376-3  
 • CoA SPECIFICATION FOR THE CONSTRUCTION OF ASPHALT CROSSINGS  
 • CoA SPECIFICATION FOR THE CONSTRUCTION OF CROSSINGS (BRICK/BLOCK PAVED)  
 • CoA SPECIFICATION FOR THE CONSTRUCTION OF CONCRETE CROSSINGS



ORCHARD AVENUE  
ARMADALE  
 LOCKED BAG No. 2  
ARMADALE  
W.A. 6112  
 TELEPHONE:  
9399-0111  
 FACSIMILE:  
9399-0184



SURVEYED	ACCOUNT NO.
DESIGNED	
DRAWN	APPROVED
CHECKED	

STANDARD DETAILS  
FOOTPATH DETAIL

CAD FILE	
DRAWING STATUS	SHEET
FINAL	01 of 01
PLAN No.	AMENDMENT
S13-10	C