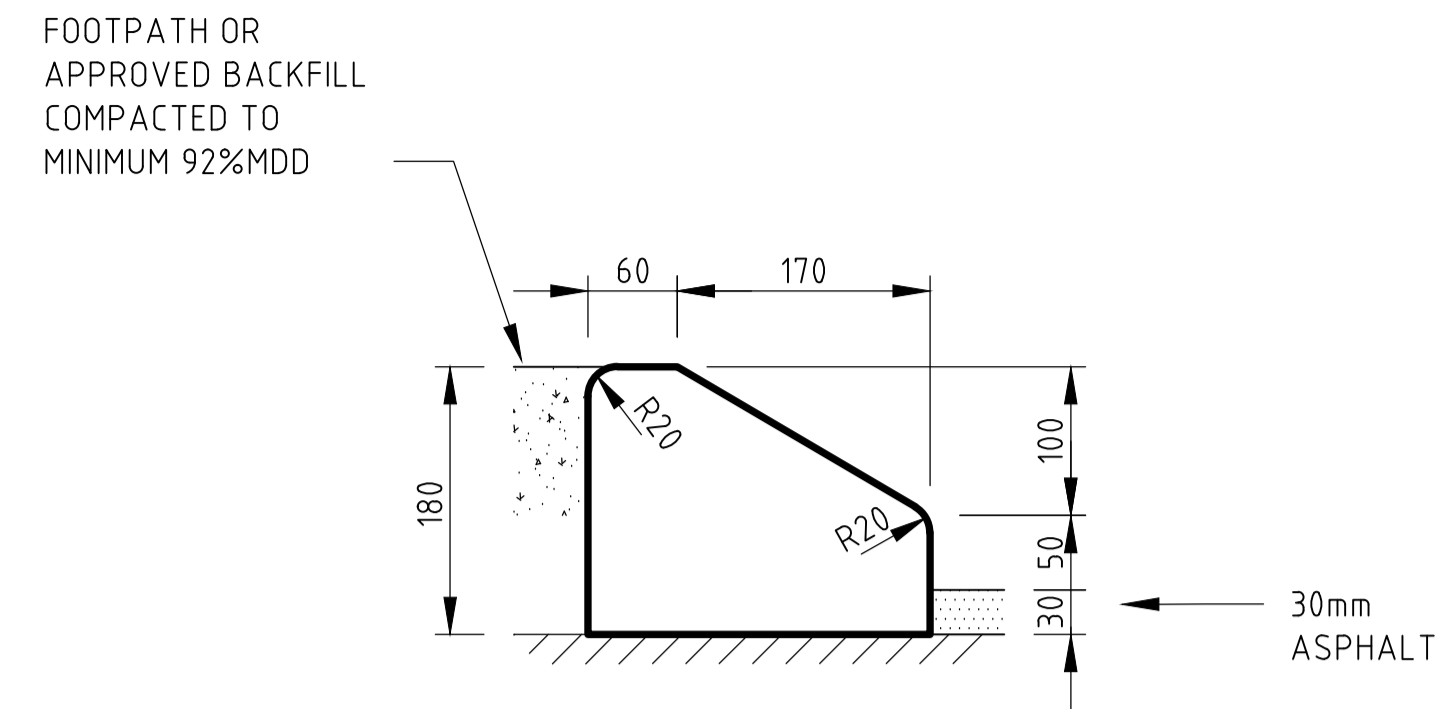
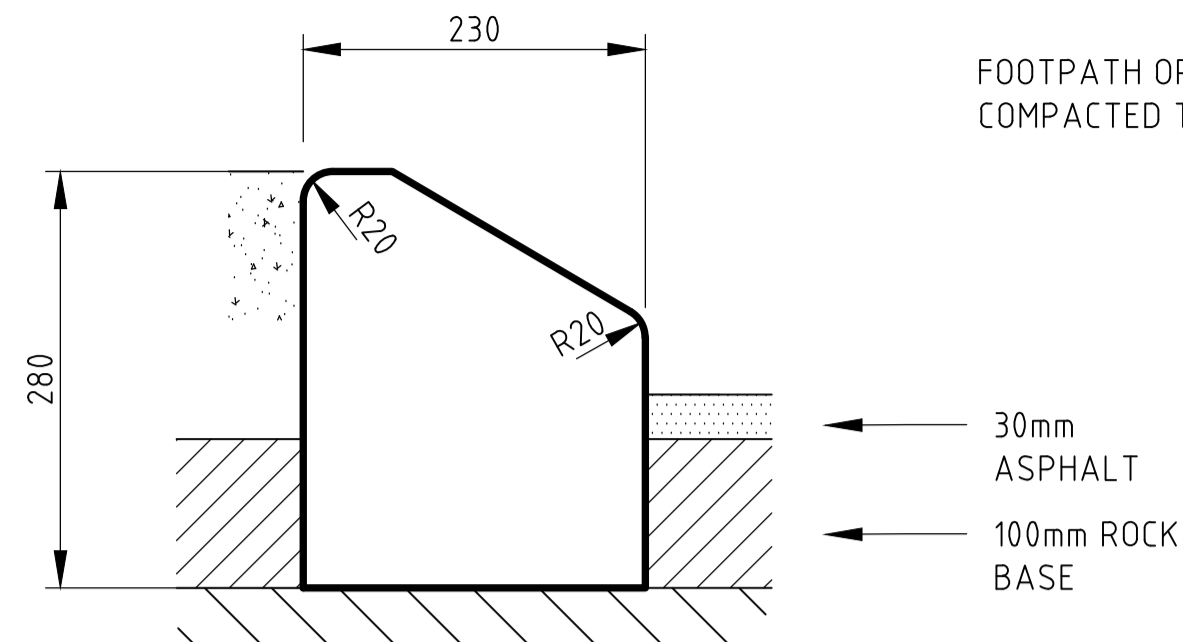


AMENDMENTS				
No	DESCRIPTION	DRAWN	AUTH'D	DATE
A	KERB DETAILS MODIFIED	DM		01/12/14
B	KERB DETAILS MODIFIED, ISSUED FOR APPROVAL	DM		08/03/15

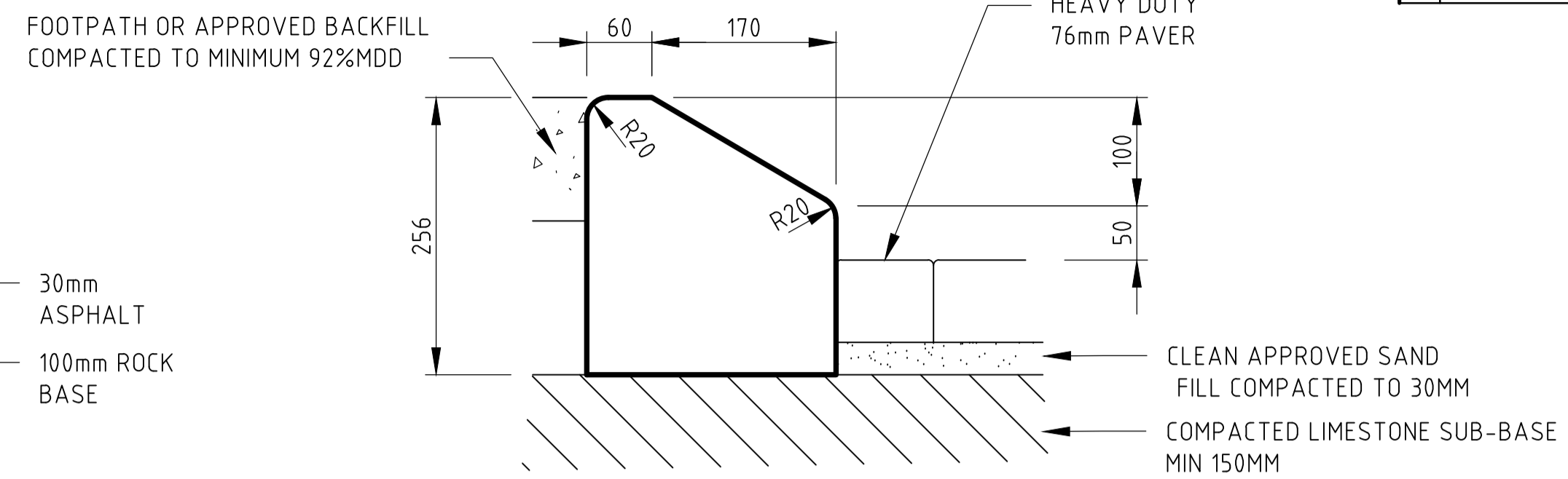


**SEMI MOUNTABLE KERB - TYPE SMK**

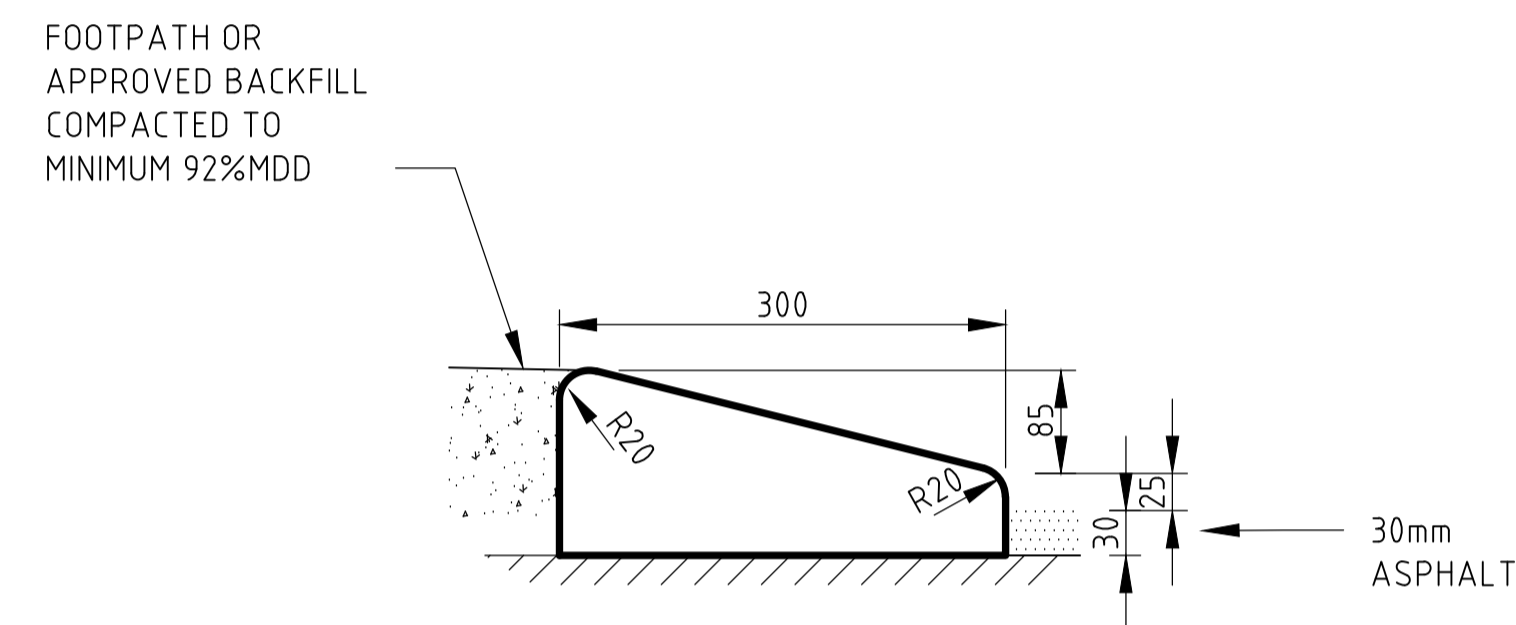


**KEYING IN OF KERB - TYPE SMK**

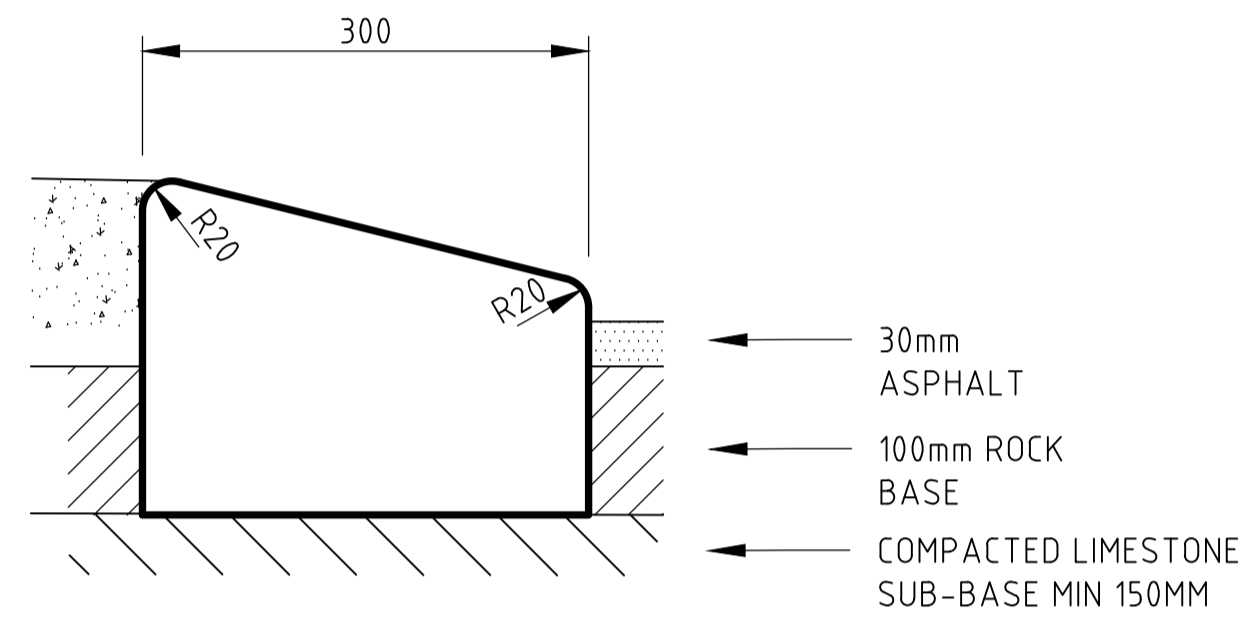
(REQUIRED WHEN RADII LESS THAN 40m)



**SEMI MOUNTABLE KERB FOR BRICK PAVING SMK**

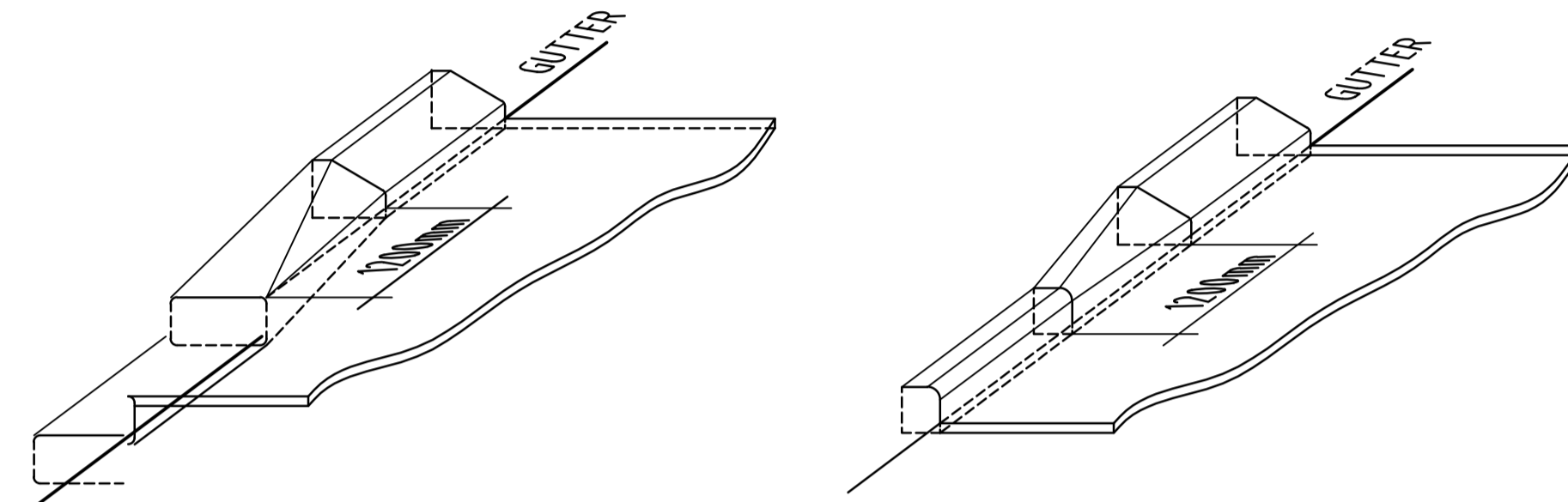


**MOUNTABLE KERB - TYPE MK**

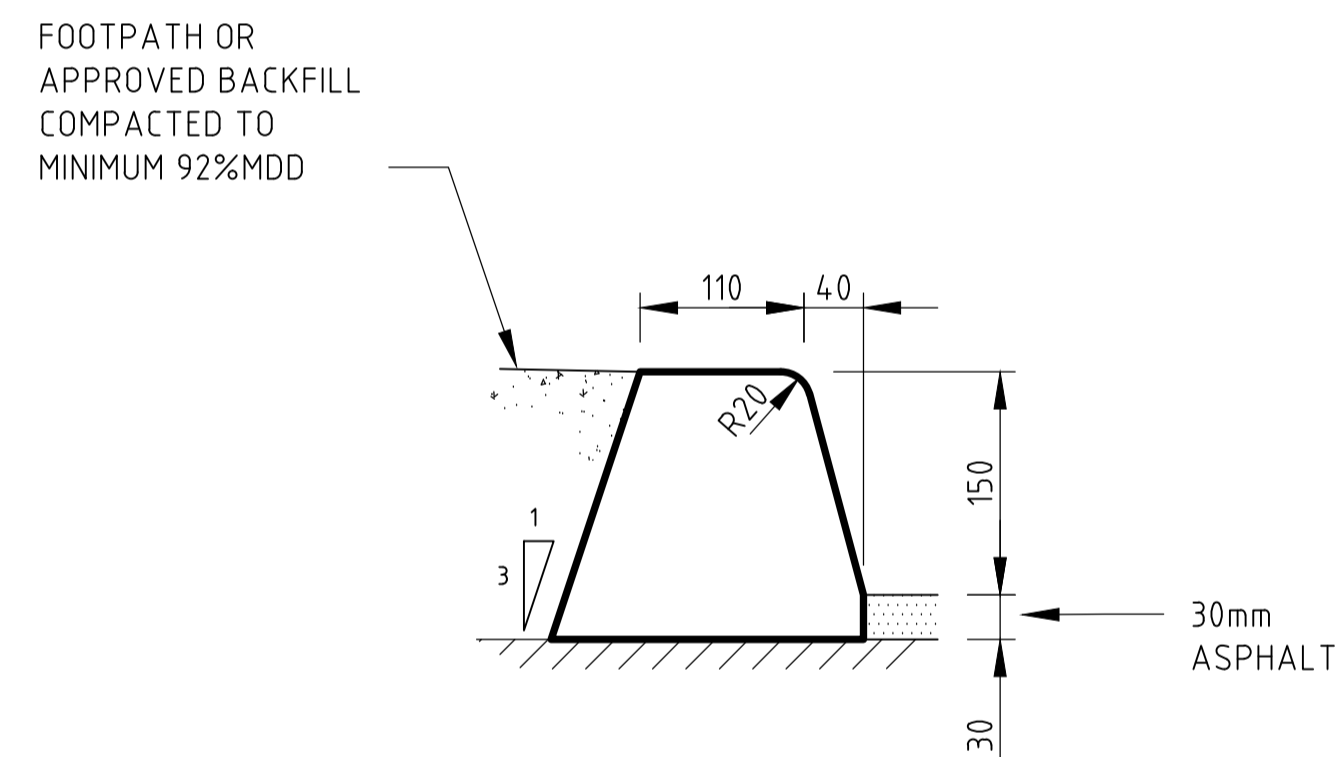


**KEYING IN OF KERB - TYPE MK**

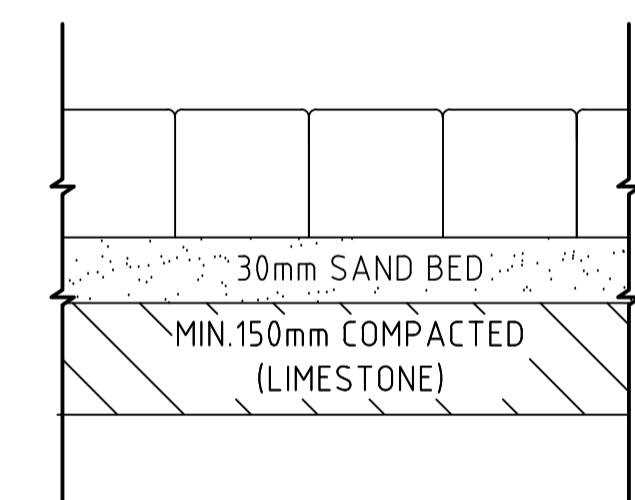
(REQUIRED WHEN RADII LESS THAN 40m)



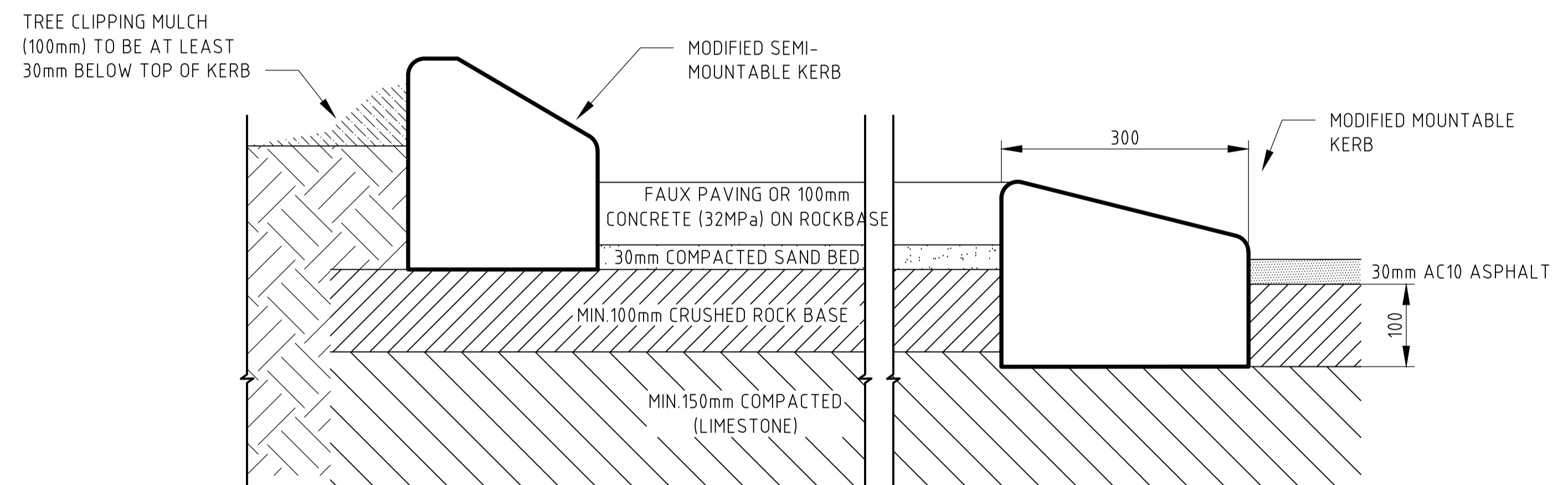
**KERB TRANSITION**



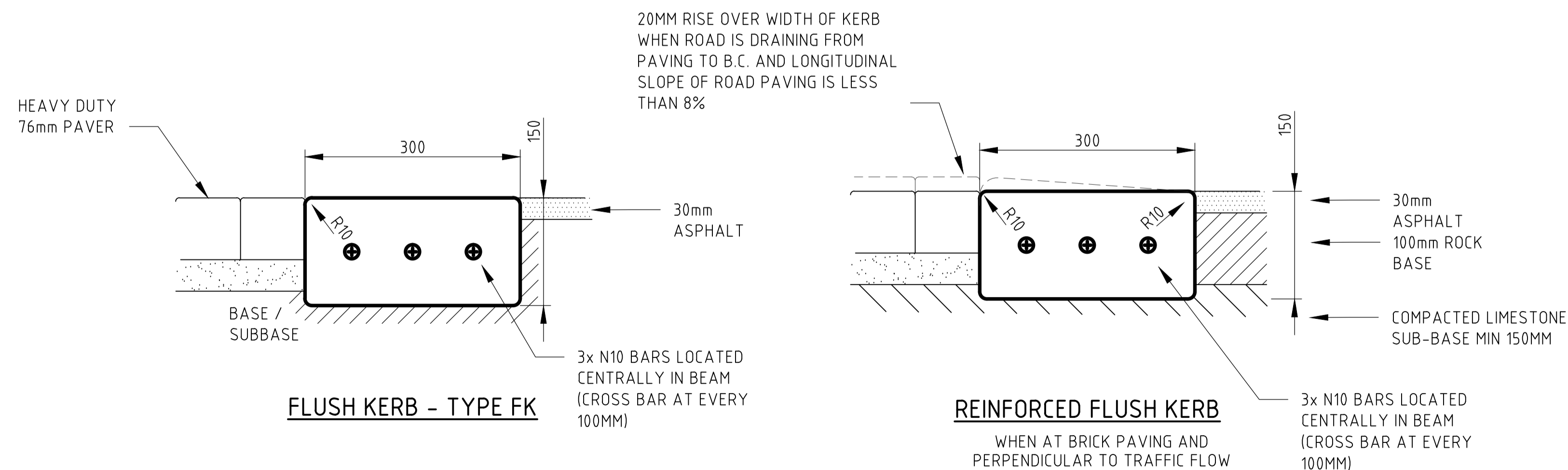
**BARRIER KERB - TYPE BK**



**BRICK PAVEMENT DETAILS**



**STANDARD ROUNDABOUT KERBING SETOUT**



**FLUSH KERB - TYPE FK**

**REINFORCED FLUSH KERB**

WHEN AT BRICK PAVING AND PERPENDICULAR TO TRAFFIC FLOW

**NOTES**

- 32 MPA CONCRETE COMPRESSIVE STRENGTH TO BE USED IN ACCORDANCE WITH AS1379 WITH FIBRE REINFORCEMENT AT A MIXING RATE OF 1kg/m<sup>3</sup>.
- REINFORCE KERB AS SHOWN, ALIGNING REINFORCEMENT 50mm ABOVE LAID BASE OF KERB.
- ASSUME 20mm RADII FILLET AT PROFILES EDGES IF NOT SHOWN.
- KEY KERB WHEN LAID ON EXISTING ASPHALT AND RADIUS LESS THAN 40m UNLESS SPECIFIED OTHERWISE.
- KEY TRENCH TO BE A MINIMUM OF 100mm DEEP AND FORMED 0.3m EVERY 1m.
- ADJACENT FOOTPATH TO GRADE UP FROM ROAD AT 2% (+36mm OVER 1.8m).
- LOCAL ROAD PAVEMENT CONSISTS OF 100mm BASE-COURSE OF CRUSHED ROCK, WITH 150mm SUB-BASE OF LIMESTONE.
- BARRIER KERB TO BE USED ADJACENT TO ALL POS AREAS UNLESS OTHERWISE APPROVED BY CITY OF ARMADALE.
- ASPHALT THICKNESS TYPICALLY 30MM AC10. WHEN 25MM AC7, ADJUST KERB HEIGHT ACCORDINGLY.
- CONTRACTION JOINTS SHALL BE CONSTRUCTED EVERY 2.0m RUN OF KERBING
- EXPANSION JOINTS SHALL BE CUT AT 4m INTERVALS
- KERB JOINTS TO COINCIDE WITH FOOTPATH JOINTS

**ASSOCIATED STANDARD DRAWINGS**

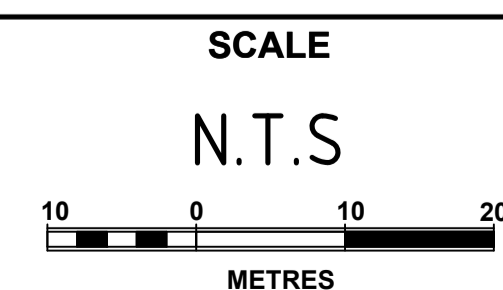
- CoA KERBING STANDARD 00-06
- MRWA KERBING STANDARD 9331-0376-3
- CoA SPECIFICATION FOR THE CONSTRUCTION OF ASPHALT CROSSINGS
- CoA SPECIFICATION FOR THE CONSTRUCTION OF CROSSINGS (BRICK/BLOCK PAVED)
- CoA SPECIFICATION FOR THE CONSTRUCTION OF CONCRETE CROSSINGS



ORCHARD AVENUE  
ARMADALE

LOCKED BAG No. 2  
ARMADALE  
W.A. 6112

TELEPHONE:  
9399-0111  
FACSIMILE:  
9399-0184



SURVEYED		ACCOUNT NO.	
--	Oct. 2013	---	
DESIGNED		APPROVED	
BV	Oct. 2013		
DRAWN			
BV	Oct. 2013		
CHECKED			
S.FOSTER	Oct. 2013		

STANDARD DETAILS  
KERB DETAILS PART 1

CAD FILE		SHEET	
S13-01-C- Standard - CoA Kerbing.dwg		01 of 01	
DRAWING STATUS		AMENDMENT	
FINAL		C	
PLAN No.			
S13-01			