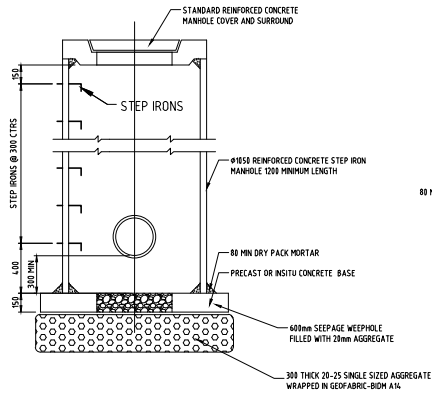
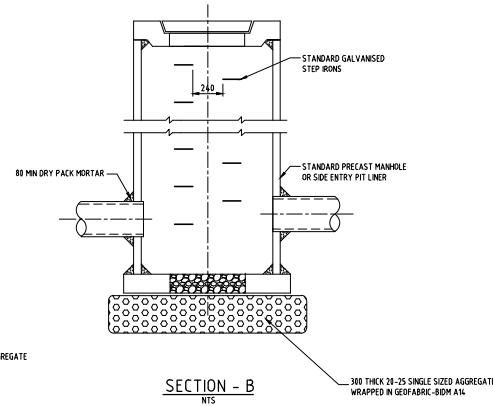


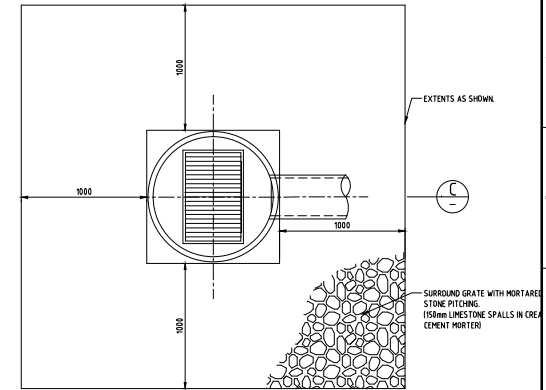
MANHOLE PLAN
NTS



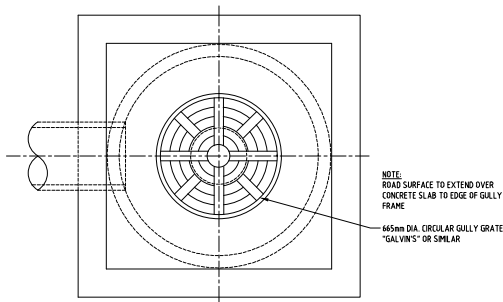
SECTION - A
NTS



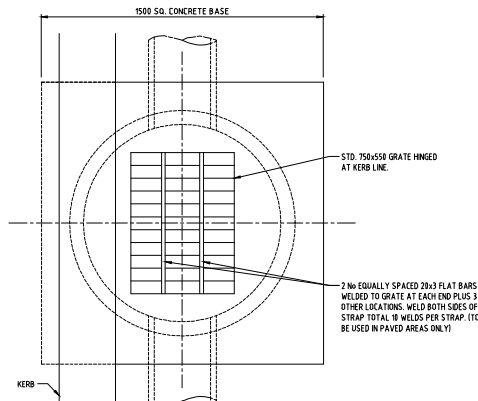
SECTION - B
NTS



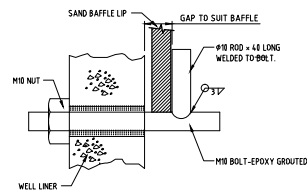
BUBBLE-UP PLAN
NTS



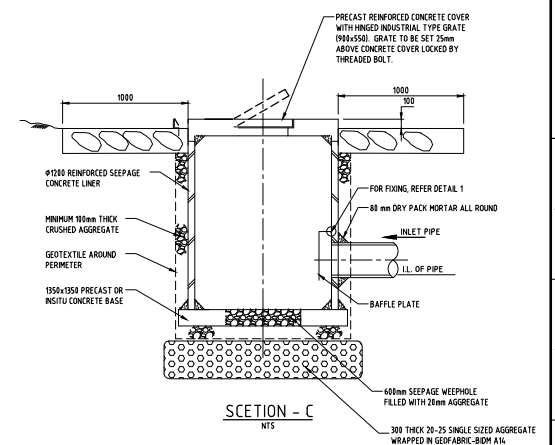
CIRCULAR GULLY PIT
NTS



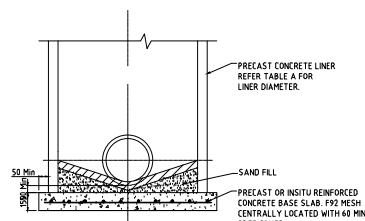
GRATED GULLY PIT
NTS



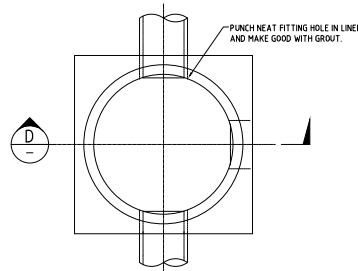
DETAIL 1
NTS



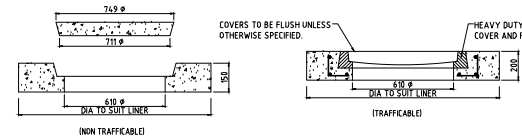
SECTION - C
NTS



SECTION D-D
NTS



PLAN-LID AND FRAME REMOVED



TYPICAL CONCRETE
MANHOLE COVER AND SURROUND
NTS

NOTES

- STEP IRONS TO BE INSTALLED IN PITS WHERE THE DEPTH FROM COVER TO THE TOP OF BASE EXCEEDS 1200mm
- ALL COMPONENTS TO BE DESIGNED TO ACCEPT A14 LOADING N.A.S.R.A. STANDARD
- ALL BASES TO BE BEDDED ON FIRM NATURAL OR COMPACTED SAND UNLESS OTHERWISE STATED.
- MORTAR TO BE 3:1 SAND/CEMENT MIXTURE
- INSITU CONCRETE TO HAVE A MIN. COMP. STRENGTH OF 20MPa AT 28 DAYS
- MANHOLES SHALL BE INTERLOCKING JOINT EQUIVALENT TO CLASS 2 PIPE. 28 DAYS.
- GULLY PIT LINERS TO BE AS PER MANHOLE DETAILS

ASSOCIATED STANDARD DRAWINGS	
• CoA KERBING STANDARD 00-06	
• MIN/IA KERBING STANDARD 9331-0316-3	
• CoA SPECIFICATION FOR THE CONSTRUCTION OF ASPHALT CROSSINGS	
• CoA SPECIFICATION FOR THE CONSTRUCTION OF CROSSINGS (BRICK/BLOCK PAVED)	
• CoA SPECIFICATION FOR THE CONSTRUCTION OF CONCRETE CROSSINGS	

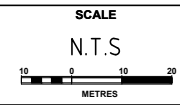


ORCHARD AVENUE
ARMADALE

LOCKED BAG No. 2
ARMADALE
W.A. 6112

TELEPHONE:
9399-0111

FACSIMILE:
9399-0184



SURVEYED		ACCOUNT NO.	
DESIGNED	Oct 2013		
DRAWN	Oct 2013		
CHECKED	Oct 2013		
SUBMITTED	Oct 2013		

STANDARD DETAILS
DRAINAGE
MANHOLE AND
BUBBLE-UP PIT

CAD FILE		SHEET	
S13-03-A-Final - Standard - CoA Manhole.dwg		01 of 01	
DRAWING STATUS	FINAL	AMENDMENT	A
PLAN No.	S13-03		