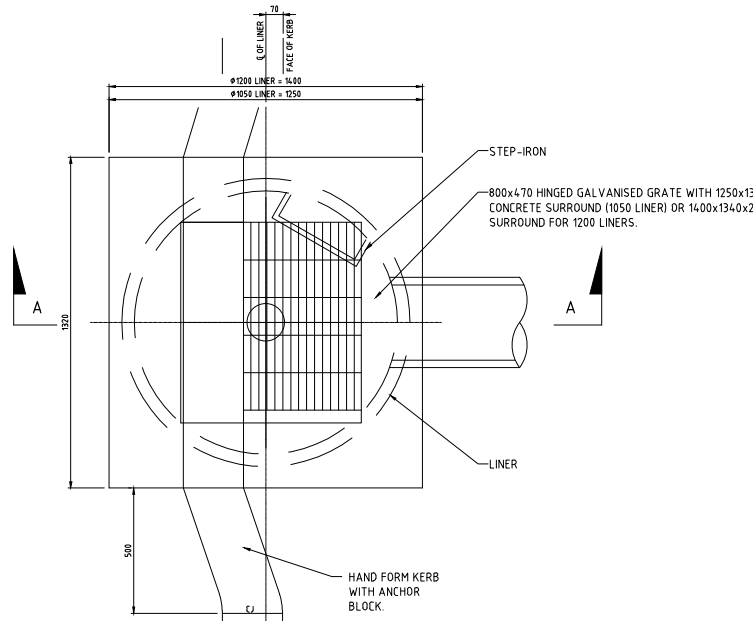
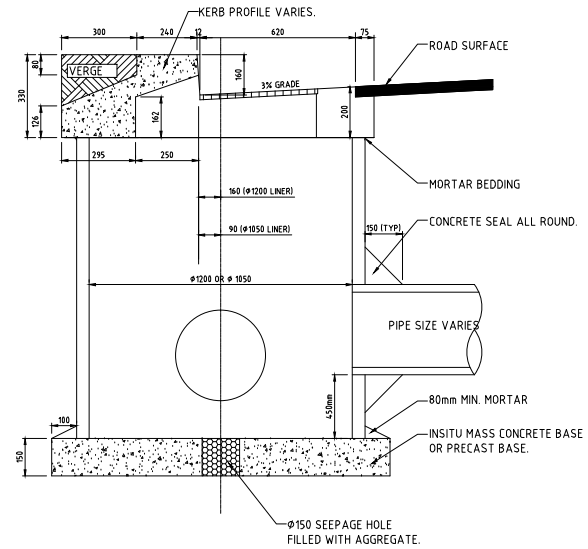


AMENDMENTS				
No	DESCRIPTION	DRAWN	AUTH'D	DATE
1		BV		29/07/13



COMBINATION SIDE ENTRY PIT  
AND GRATE PLAN

GRATE WITH 1250x1340x200  
R) OR 1400x1340x200 CONCRETE



SECTION A-A

NOTES

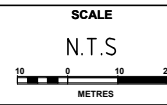
- STEP IRONS TO BE INSTALLED IN PITS WHERE THE DEPTH FROM COVER TO THE TOP OF BASE EXCEEDS 1200mm
- ALL COMPONENTS TO BE DESIGNED TO ACCEPT 14% LOADING N.A.S.R.A. STANDARD
- ALL BASES TO BE BEDDED ON FIRM NATURAL OR COMPACTED SAND UNLESS OTHERWISE STATED.
- MORTAR TO BE 3:1 SAND/CEMENT MIXTURE
- INSITU CONCRETE TO HAVE A MIN. COMP. STRENGTH OF 20MPa AT 28 DAYS
- MANHOLES SHALL BE INTERLOCKING JOINT EQUIVALENT TO CLASS 2 PIPE, 28 DAYS.
- GULLY PIT LINERS TO BE AS PER MANHOLE DETAILS
- GRATE AND STEP IRONS TO BE GALVANIZED

ASSOCIATED STANDARD DRAWINGS
<ul style="list-style-type: none"> <li>CoA KERBING STANDARD 00-06</li> <li>MHWK KERBING STANDARD 9331-0316-3</li> <li>CoA SPECIFICATION FOR THE CONSTRUCTION OF ASPHALT CROSSINGS</li> <li>CoA SPECIFICATION FOR THE CONSTRUCTION OF CROSSINGS (BREAK/BLOCK PAVED)</li> <li>CoA SPECIFICATION FOR THE CONSTRUCTION OF CONCRETE CROSSINGS</li> </ul>



ORCHARD AVENUE  
ARMADALE

LOCKED BAG No. 2 TELEPHONE: 9399 0111  
ARMADALE W.A. 6112 FACSIMILE: 9399 0184



SURVEYED	ACCOUNT NO.
DESIGNED Oct 2013	
DRAWN Oct 2013	
CHECKED S/OSTER Oct 2013	

DESIGNED	APPROVED
BV Oct 2013	
BV Oct 2013	

STANDARD DETAILS  
DRAINAGE  
COMBINATION SIDE ENTRY  
PIT DETAILS

CAD FILE	
S13-05-A-Final - Standard - CoA Combination Pit.dwg	
DRAWING STATUS	SHEET
FINAL	01 of 01
PLAN No.	AMENDMENT
S13-05	A