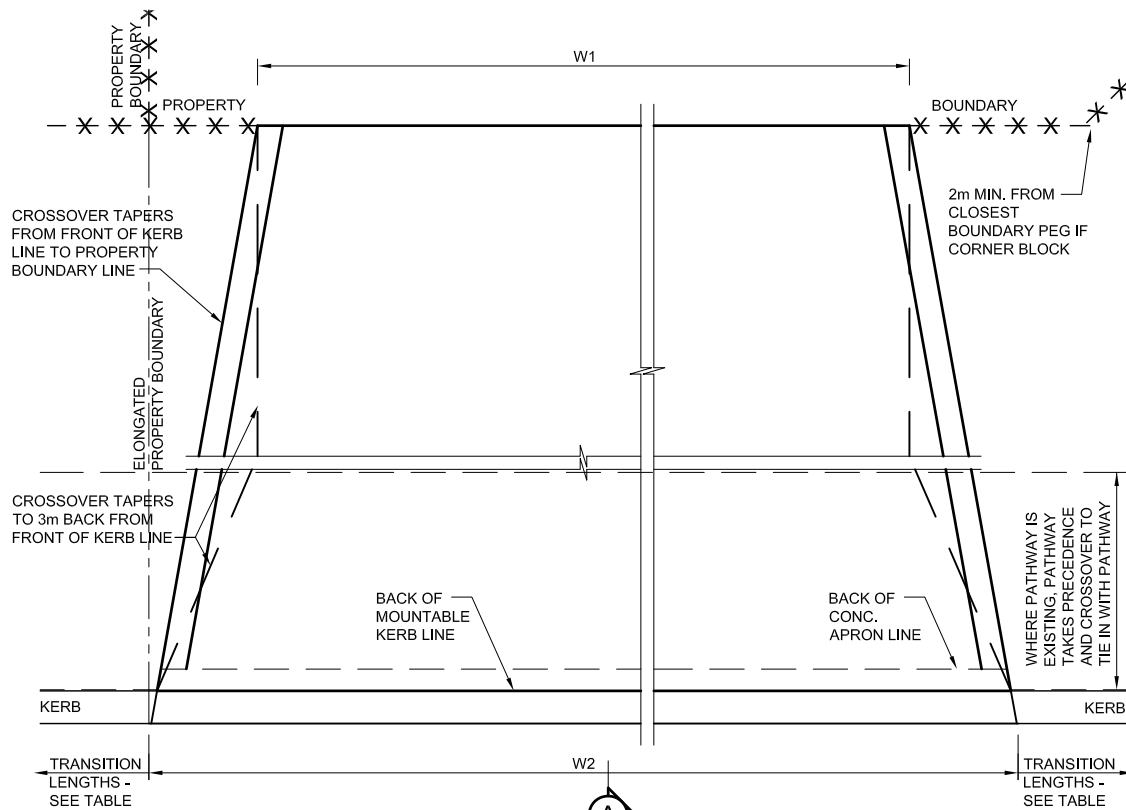


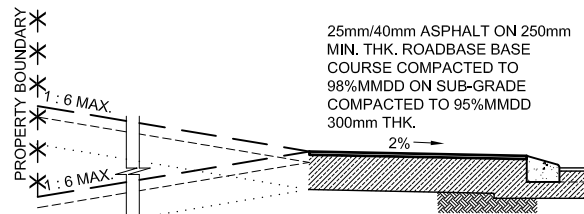
NOTES: - Asphalt Crossovers - Special Specifications and Conditions

Asphalt Crossover Specifications

1. ASPHALT THICKNESS SHALL BE A MINIMUM OF 25mm THICK SPREAD AT A RATE OF 18 SQUARE METRES PER TONNE FOR RESIDENTIAL CROSSOVERS AND 40mm THICK SPREAD AT A RATE OF 12 SQUARE METRES PER TONNE FOR INDUSTRIAL/COMMERCIAL CROSSOVERS.
2. AFTER EXCAVATION, JARRAH TIMBER KERBING 100mm x 25mm SHALL BE PLACED ON BOTH EDGES OF THE CROSSING. THIS TIMBER SHALL BE SET TO THE FINISHED LEVEL OF THE CROSSING AND HELD IN PLACE BY 75mm x 50mm TIMBER PEGS 300mm LONG DRIVEN INTO THE GROUND ON THE OUTSIDE OF THE TIMBER KERBING AND NAILED IN PLACE. THE PEGS SHALL BE PLACED AT 2m INTERVALS AND ARE TO FINISH 10mm BELOW THE TIMBER TOP EDGE LEVEL.
3. CONCRETE KERBING MAY BE USED PROVIDING THAT IT IS FLUSH OR MOUNTABLE KERBING (NOT BARRIER KERBING) AND THAT IT COMPLIES WITH THE CITY OF ARMADALE KERBING STANDARDS. THE VERGE SIDE OF THE KERB MUST BE BACK-FILLED TO THE TOP OF THE KERB WITH A SLOPE OF NO MORE THAN 1:6.
4. THE FINISHED LEVEL OF THE ROAD BASE SHALL BE 25mm BELOW THE KERBING FOR RESIDENTIAL CROSSOVERS OR 40mm FOR INDUSTRIAL/COMMERCIAL CROSSOVERS. THE PREPARED BASE COURSE SHALL BE INSPECTED AND APPROVED BY THE EXECUTIVE DIRECTOR TECHNICAL SERVICES OR BY THE CITY'S NOMINATED OFFICER PRIOR TO THE PLACEMENT OF BITUMINOUS CONCRETE.
5. PRIOR TO LAYING OF THE ASPHALT, A TACK COAT SHALL BE SPRAYED ON THE ROAD BASE. THE TACK COAT SHALL COMPRISE OF AN ANIONIC BITUMEN EMULSION WHICH MAY BE DILUTED BY THE ADDITION OF UP TO 50% CLEAN WATER. THE APPLICATION RATE SHALL BE HALF TO THREE QUARTERS (0.5 TO 0.75) OF A LITRE PER SQUARE METRE.
6. ASPHALT TYPE SHALL BE 7mm GRANITE WITH A BITUMEN CONTENT OF BETWEEN 5 TO 7% BY MASS AND SUPPLIED FROM AN ASPHALT PRODUCTION PLANT.
7. THE ASPHALT SHALL BE EVENLY SPREAD OVER THE AREA AND IMMEDIATELY ROLLED WITH A PEDESTRIAN ROLLER. NO BREAK IN THIS OPERATION SHALL BE PERMITTED UNTIL ALL THE BITUMINOUS CONCRETE IS FINISHED. THE ASPHALT SHALL BE LAID ON A DRY FOUNDATION. UNDER NO CIRCUMSTANCES SHALL THE ASPHALT BE SPREAD WHEN THE AMBIENT TEMPERATURE IS LESS THAN 5° CELSIUS.
8. SURPLUS ASPHALT SHALL BE REMOVED FROM THE SITE AND DISPOSED OF AT AN APPROVED DISPOSAL SITE.



CONCRETE CROSSOVER - LAYOUT N.T.S.



SECTION A N.T.S.

KERB TRANSITION LENGTHS		
	PROFILE	LENGTH (mm)
MOUNTABLE		500
SEMI-MOUNTABLE		600
BARRIER		750

No.	Date	Revision	By	Approved

Scale: N.T.S.
 Date: 04/05
 Surveyed: Date

CITY OF Armadale
 7 ORCHARD AVENUE, ARMADALE, WA 6112

THIS DRAWING REMAINS THE PROPERTY OF THE CITY OF ARMADALE AND SHALL NOT BE RETAINED, COPIED, OR USED WITHOUT WRITTEN APPROVAL FROM THE DIRECTOR ENGINEERING SERVICES

Drawn: EV Date: 11/20
 Checked: EV Date: 11/20
 Drawn: TN Date: 11/20
 Checked: EV Date: 11/20

Executive Manager
 Technical Services
 (Approved)

CROSSOVER DETAILS

CROSSOVER DETAILS - ASPHALT

PC No:
 CND No:
 Sheet No: 01
 Rev No: 01
 DWG No: 09-08-A